

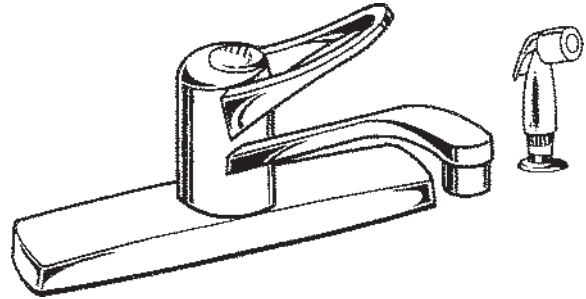
# SPECIFICATIONS

**PHOENIX**  
 583 Miller Rd.  
 Avon Lake, OH 44012  
 440.933.8100 / faucets.com

**FAUCETS**

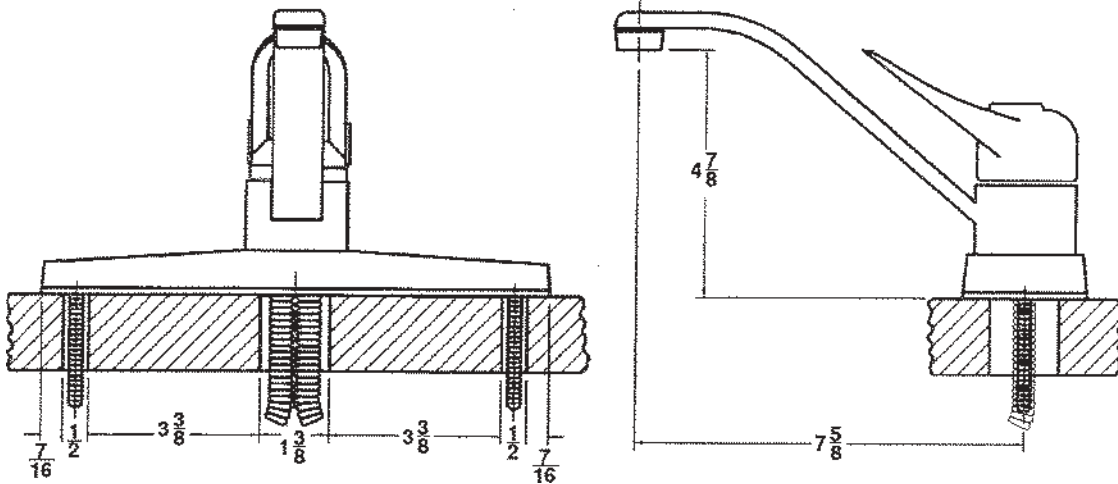
- ◆ 8" Centers, deck mount
- ◆ Brass underbody
- ◆ Metal single control loop handle - ADA compliant
- ◆ With or without spray
- ◆ Brass "D" spout
- ◆ Washerless cartridge system

Single Handle Kitchen	
with Spray	Less Spray
1103	1101
1173	1171



Designed and manufactured to comply with the requirements of ANSI A112.18.1M and all specifications therein. IAPMO listed. Maximum flow rate of 2.0 GPM for aerators and 2.5 GPM for shower heads at 80 PSI.

# DIMENSIONS





583 Miller Rd.  
Avon Lake, OH 44012  
440.933.8100 / faucets.com

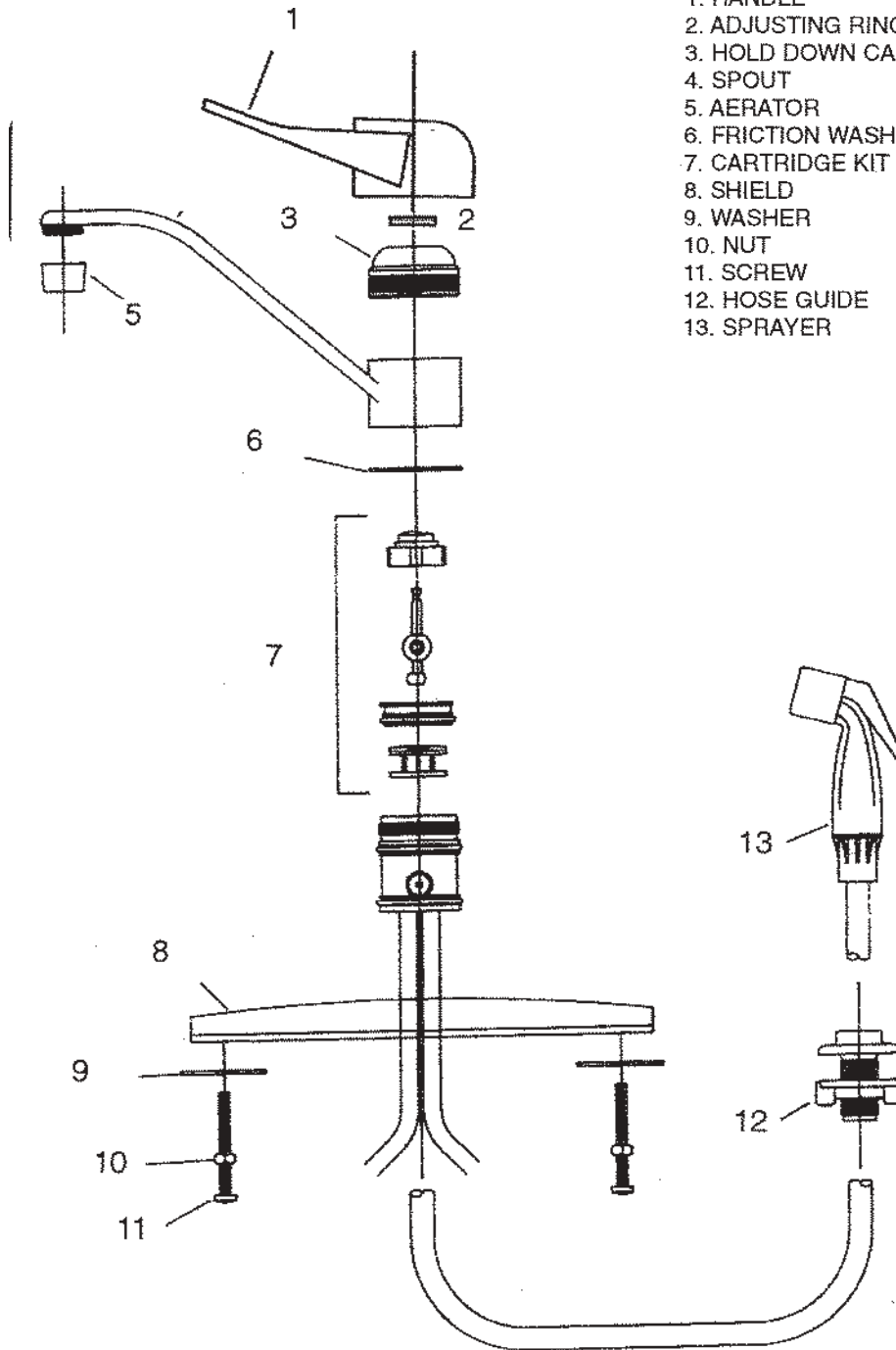
**FAUCETS**

**MODEL NUMBERS:**

with Spray	Less Spray
1103	1101
1173	1171

**PARTS LIST:**

1. HANDLE	1103-9C
2. ADJUSTING RING	1201-11-1
3. HOLD DOWN CAP	1201-11C
4. SPOUT	1103-7-8C
5. AERATOR	50-19C
6. FRICTION WASHER	1101-7-3
7. CARTRIDGE KIT	6-1201-5-0
8. SHIELD	1102-12C
9. WASHER	1201-18
10. NUT	1201-11
11. SCREW	1201-7-2
12. HOSE GUIDE	153-25
13. SPRAYER	151-22



**EXPLODED VIEW**