

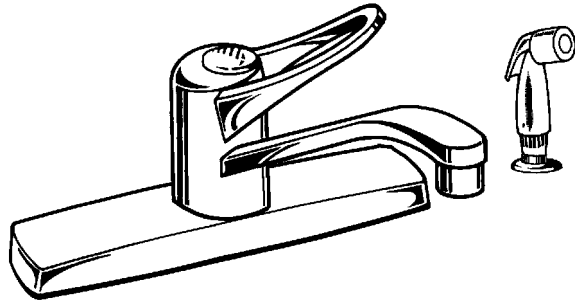
Specifications

Freedom™ FAUCETS

- *8" Centers: deck mount
 - *Brass underbody
 - *Metal single control loop handle-
ADA compliant
 - *With or without spray
 - *Brass "D" spout
 - *Washerless cartridge system
- Made in the USA

SINGLE HANDLE KITCHEN

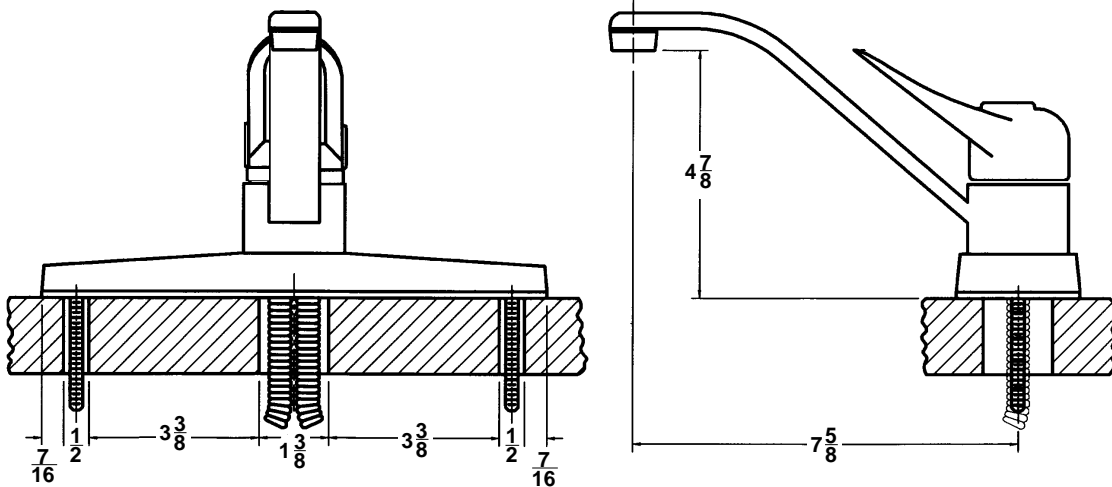
1103A-01



1101A-01 LESS SPRAY

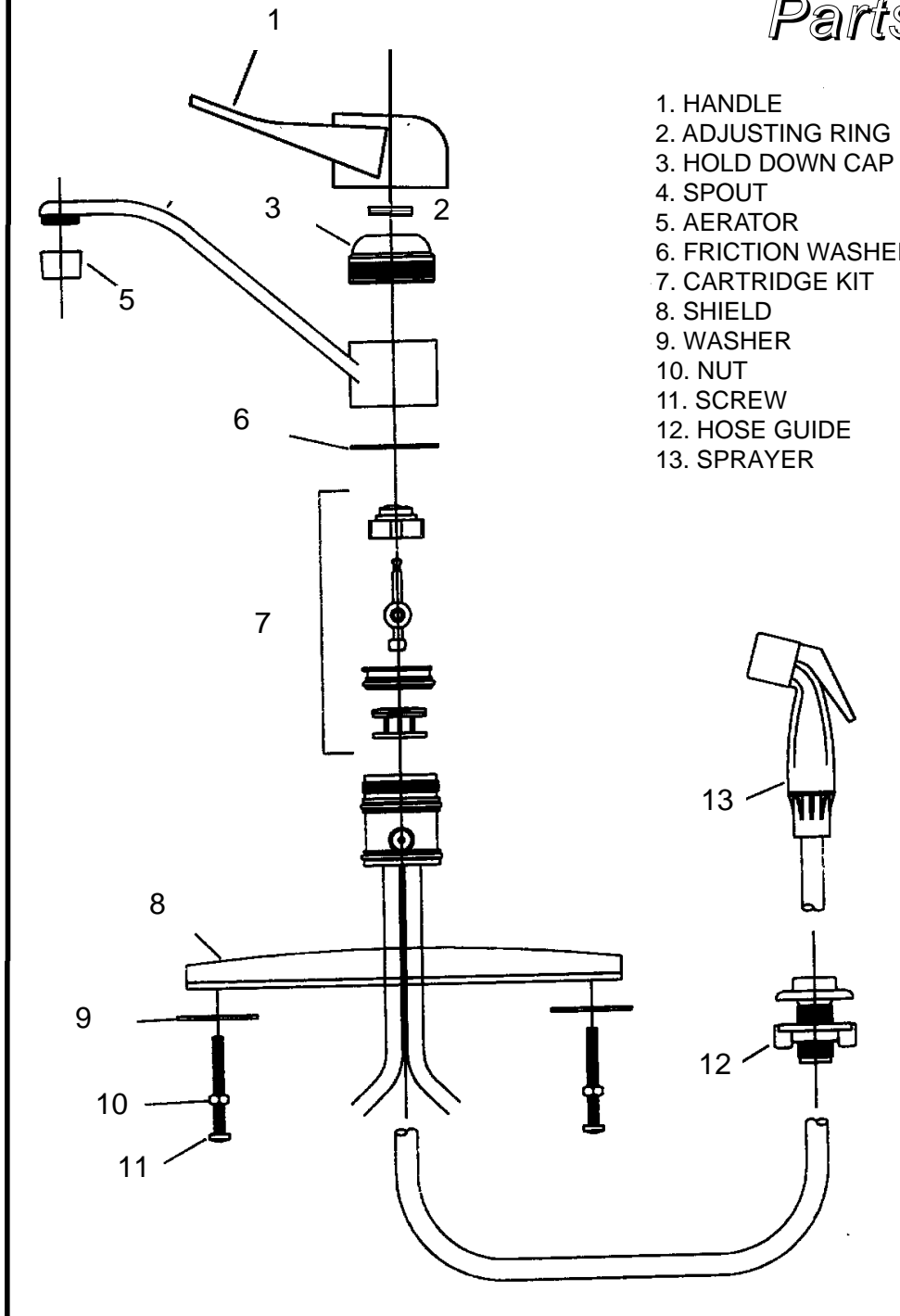
*Designed and manufactured to comply with the requirements of ANSI A112.18.1M and all specifications therein. IAPMO listed. Maximum flow rate of 2.0GPM for aerators and 2.5GPM for shower heads at 80PSI.

Dimensions



Exploded View

Parts List



1. HANDLE	1103-9C
2. ADJUSTING RING	1201-11-1
3. HOLD DOWN CAP	1201-11C
4. SPOUT	1103-7-8C
5. AERATOR	50-19C
6. FRICTION WASHER	1101-7-3
7. CARTRIDGE KIT	6-1101-5-0
8. SHIELD	1102-12C
9. WASHER	1201-18
10. NUT	1201-11
11. SCREW	1201-7-2
12. HOSE GUIDE	153-25
13. SPRAYER	151-22

Freedom Faucets
a division of
Phoenix Products Inc.
583 Miller Rd.
Avon Lake, Oh. 44012
800-222-6041

Last Revised: 5/16/2000