

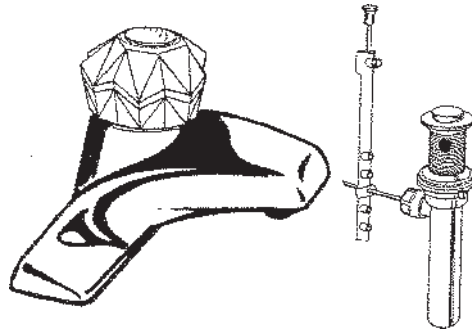
SPECIFICATIONS

PHOENIX
583 Miller Rd.
Avon Lake, OH 44012 **FAUCETS**
440.933.8100 / faucets.com

- ◆ 4" Center, deck mount
- ◆ Metal shield
- ◆ Large crystal clear acrylic handle
- ◆ Washerless cartridge system
- ◆ Brass flange/poly-pro tailpiece pop-up
- ◆ Brass underbody
- ◆ 1/2" IPS male connections

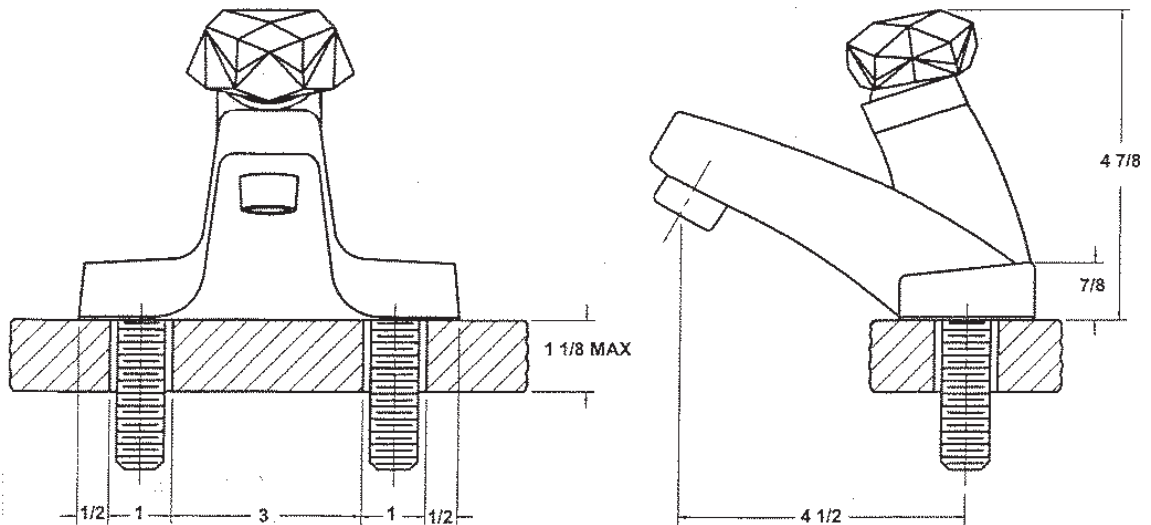
Single Handle Lavatory

1203
1273



Designed and manufactured to comply with the requirements of ANSI A112.18.1M and all specifications therein. IAPMO listed. Maximum flow rate of 2.0 GPM for aerators and 2.5 GPM for shower heads at 80 PSI.

DIMENSIONS





583 Miller Rd.
Avon Lake, OH 44012
440.933.8100 / faucets.com

FAUCETS

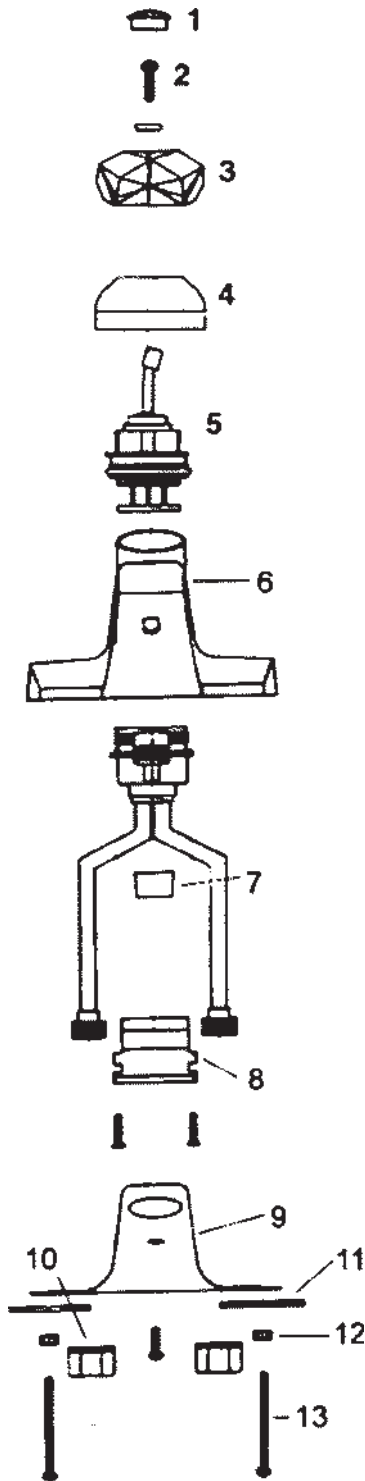
MODEL NUMBERS:

1203

1273

PARTS LIST:

1. BUTTON	N1201-16
2. SCREW	N1201-2H
3. HANDLE	1103-9C
4. CENTER NUT	1202-11C
5. CARTRIDGE	6-1201-5-0
6. SHIELD	1201-12C
7. AERATOR	50-19C
8. CENTERPIECE	1201-2-1
9. BOTTOM PLATE	1201-15
10. TAILPIECE NUT	40-11-4
11. WASHER	1201-18
12. NUT	1201-11
13. SCREW	1201-7-2



EXPLODED VIEW