

# Specifications

## Freedom™ FAUCETS

- \*Diverter spout
- \*Crystal clear acrylic handle
- \*1/2" IPS connections
- \*Metal face plate, spout, shower arm and flange
- \*Water conserving ABS shower head

Made in the USA

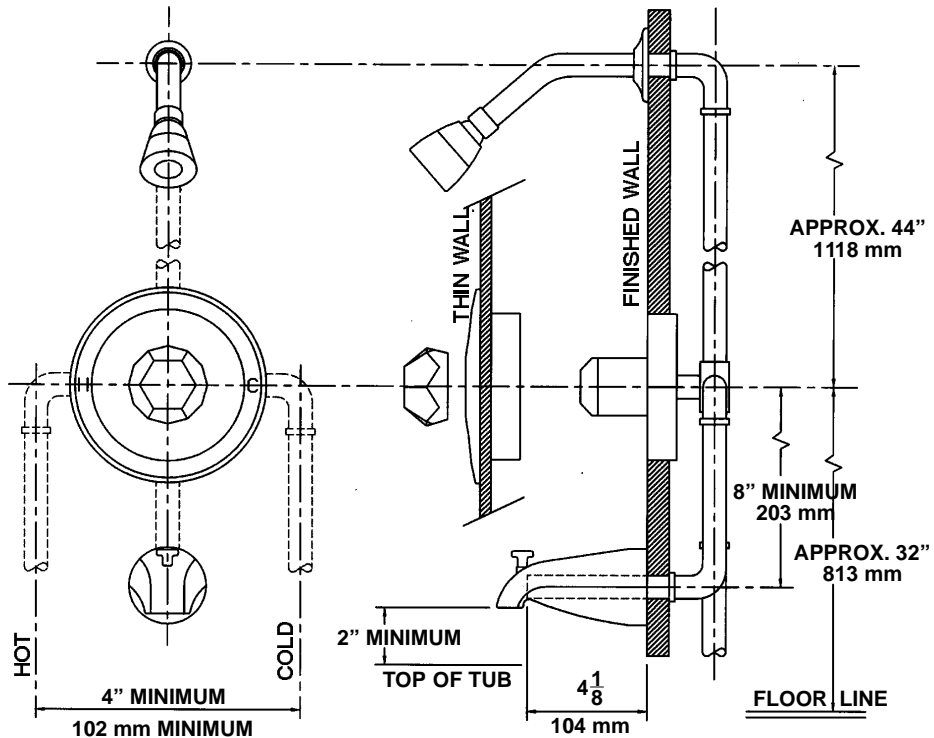
### SINGLE LEVER TUB SHOWER

## 1301-01



\*Designed and manufactured to comply with the requirements of ANSI A112.18.1M and all specifications therein. IAPMO listed. Maximum flow rate of 2.0GPM for aerators and 2.5GPM for shower heads at 80PSI.

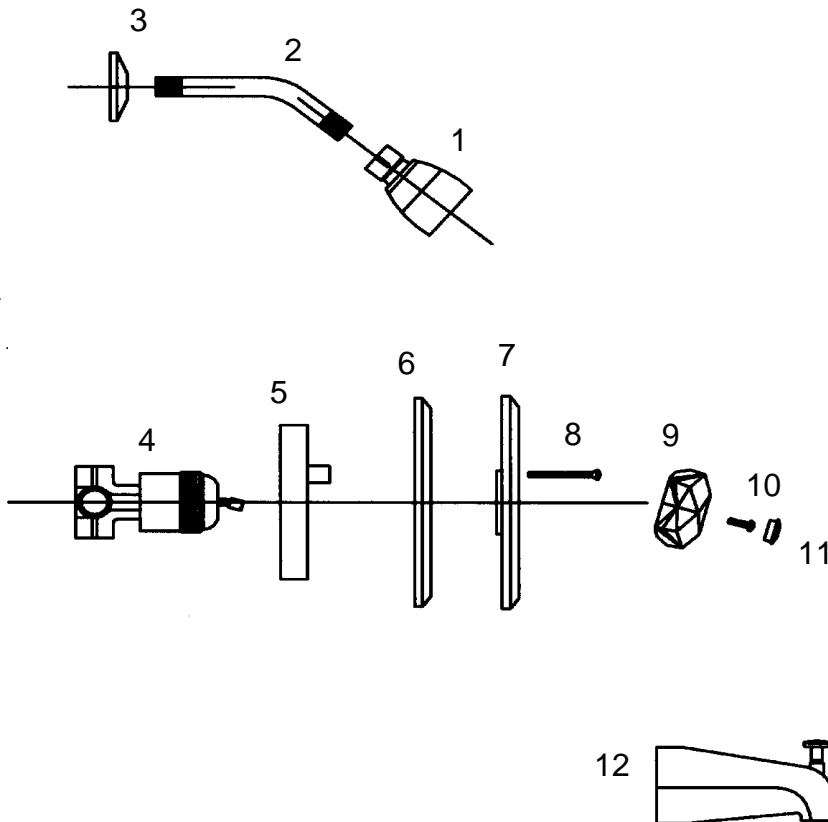
# Dimensions



# Exploded View

## Parts List

1. SHOWERHEAD	35
2. SHOWER ARM	70-10C
3. FLANGE	70-10-8C
4. CASTING ASSEMBLY W/CARTRIDGE CARTRIDGE	6-1201-5-0
5. PLASTER GROUND	1301-15
6. FLANGE GUARD	1301-8-3
7. FLANGE	1301-8C
8. FLANGE SCREW	1301-8-2C
9. HANDLE	N1201-9
10. SCREW	N1201-2H
11. BUTTON	N1201-16
12. SPOUT	70-7C



Freedom Faucets  
a division of  
Phoenix Products Inc.  
583 Miller Rd.  
Avon Lake, Oh. 44012  
800-222-6041

Last Revised: 5/16/2000