

Specifications

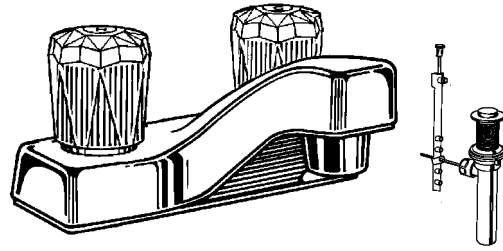
Freedom™ FAUCETS

- *4" centers: deck mount
- *Brass underbody
- *Metal shield
- *Crystal clear acrylic handles
- *1/4 turn washerless cartridge
- *Brass flange/Poly-pro tailpiece pop-up

Made in the USA

TWO HANDLE LAVATORY

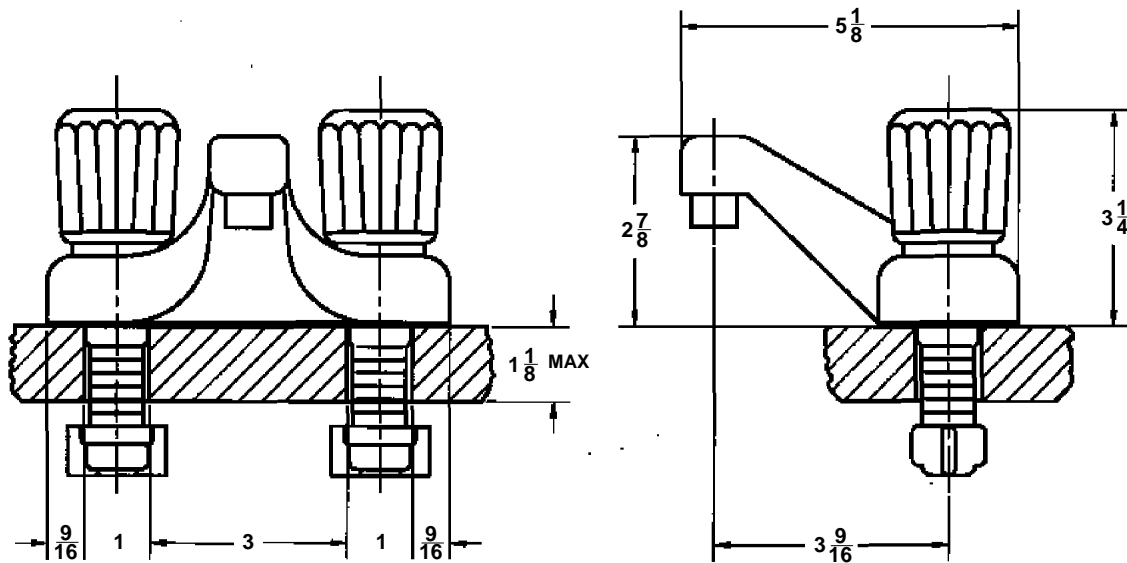
14122A-01



- 4122A LESS POP-UP
- 4022A W/ ABS SHIELD (LESS POP-UP)
- 14022A-01 W/ABS SHIELD (W/ POP-UP)
- 54022A W/ABS SHIELD & METAL POP-UP

*Designed and manufactured to comply with the requirements of ANSI A112.18.1M and all specifications therein. IAPMO listed. Maximum flow rate of 2.0GPM for aerators and 2.5GPM for shower heads at 80 PSI.

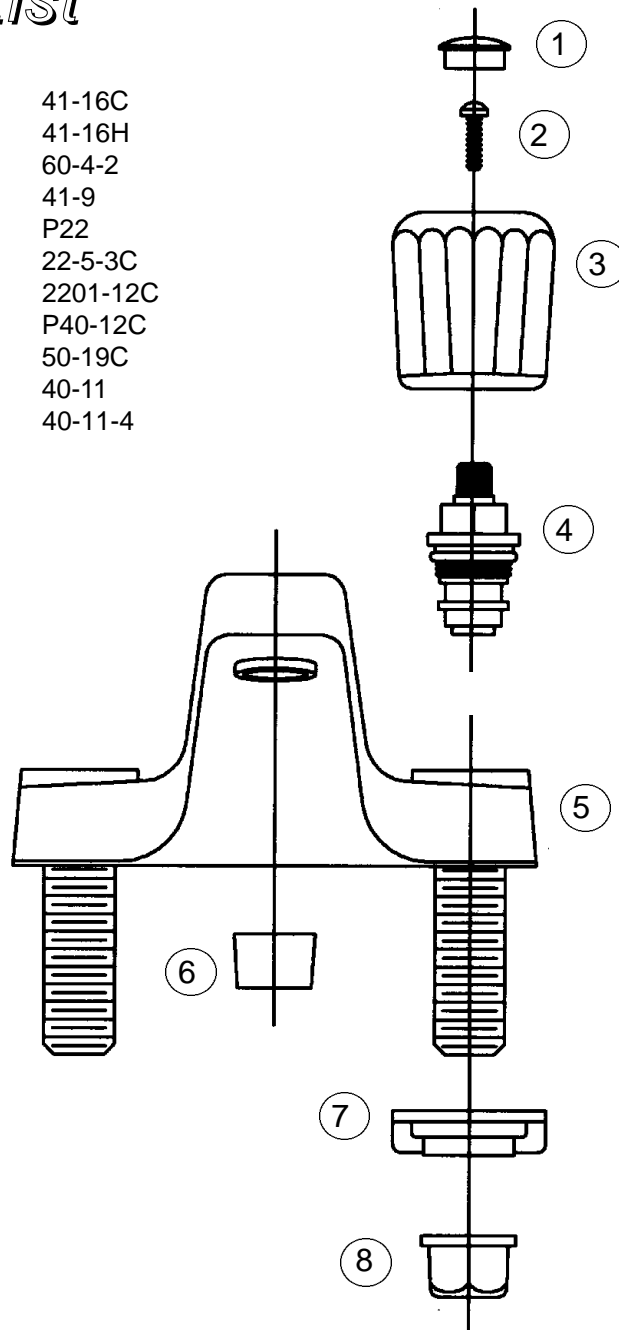
Dimensions



Exploded View

Parts List

- | | |
|------------------|----------|
| 1. BUTTON, COLD | 41-16C |
| HOT | 41-16H |
| 2. SCREW | 60-4-2 |
| 3. HANDLE | 41-9 |
| 4. CARTRIDGE | P22 |
| 5. CHROME WASHER | 22-5-3C |
| 6. SHIELD | 2201-12C |
| ABS SHIELD | P40-12C |
| 7. AERATOR | 50-19C |
| 8. LOCKNUT | 40-11 |
| 9. TAILPIECE NUT | 40-11-4 |



Freedom Faucets
a division of
Phoenix Products Inc.
583 Miller Rd.
Avon Lake, Oh. 44012
800-222-6041