

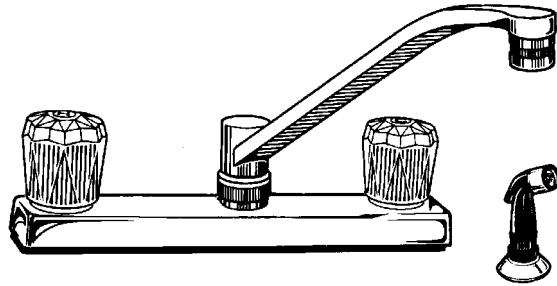
Specifications

Freedom™ FAUCETS

- *8" Centers: deck mount
 - *Brass underbody
 - *ABS shield
 - *Crystal clear acrylic handles
 - *8" Brass "D" spout
 - *1/4 Turn washerless cartridges
- Made in the USA

TWO HANDLE KITCHEN

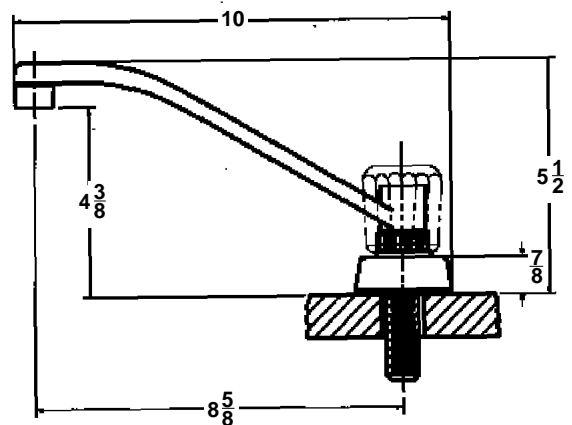
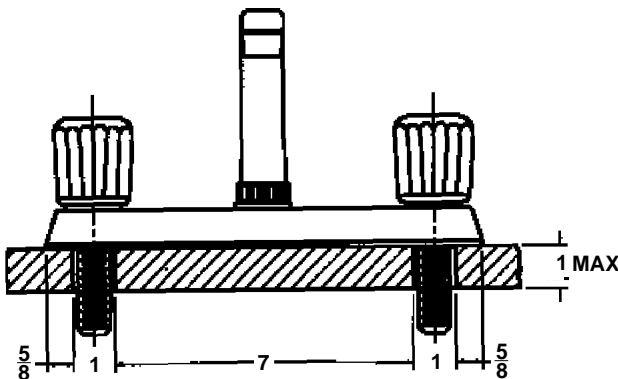
15028A-01



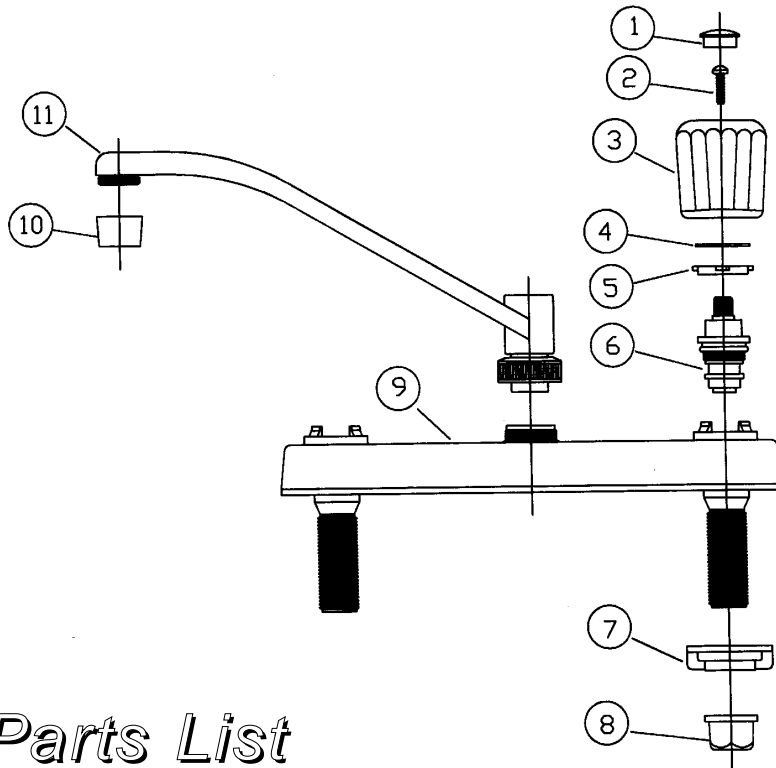
5028A-01 LESS SPRAY
5128A-01 WITH METAL SHIELD
15128A-01 WITH SPRAY & METAL SHIELD

*Designed and manufactured to comply with the requirements of ANSI A112.18.1M and all specifications therein. IAPMO listed. Maximum flow rate of 2.0GPM for aerators and 2.5GPM for shower heads at 80PSI.

Dimensions



Exploded View



Parts List

1. BUTTON, COLD	41-16C
HOT	41-16H
2. SCREW	60-4-2
3. HANDLE, COLD	41-9
4. WASHER	40-5-3
5. BONNET LOCK	40-5-8
6. CARTRIDGE	P22
7. LOCKNUT	40-11
8. TAILPIECE NUT	40-11-4
9. SHIELD	50-12PLC
METAL SHIELD	2100-12C
10. AERATOR	50-19C
11. SPOUT	58-78A-0

Freedom Faucets
a division of
Phoenix Products Inc.
583 Miller Rd.
Avon Lake, Oh. 44012
800-222-6041