

Freedom™ FAUCETS

America's Extraordinary Everyday Faucet

- * Cast brass drain flange
- * P.O. Type
- * 17 GA. brass tailpiece
- * Heavy Pattern Design
- * Foam seat washer



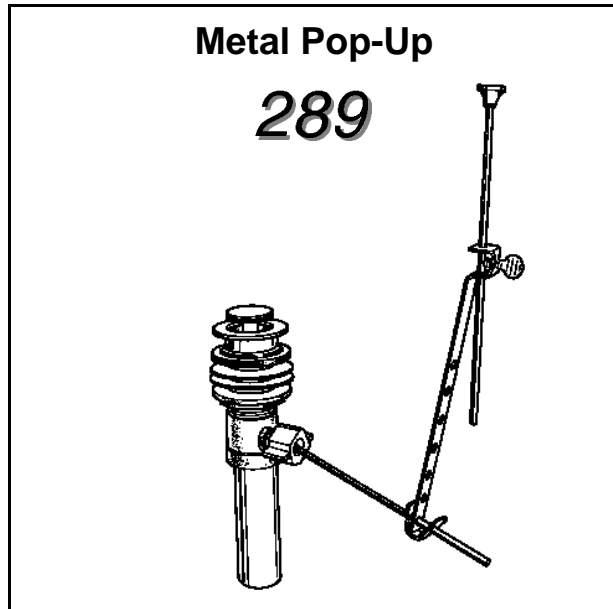
* Designed and manufactured to comply with the requirements of ANSI A112.18.1M and all specifications therein. IAPMO listed. CSA certified

Last Revised: 5/16/2000

Freedom™ FAUCETS

America's Extraordinary Everyday Faucet

- * Brass drain flange
- * Brass tailpiece
- * P.O. type
- * Chrome brass lift rod
- * Foam seat washer



* Designed and manufactured to comply with the requirements of ANSI A112.18.1M and all specifications therein. IAPMO listed.

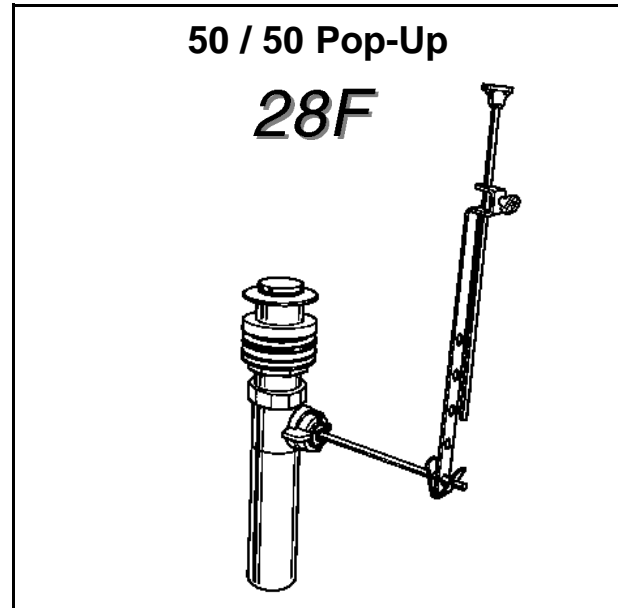
Last Revised: 5/16/2000

Freedom™ FAUCETS

America's Extraordinary Everyday Faucet

Specifications

- * Brass drain flange
- * P.O. type
- * Polypro tailpiece
- * Chrome brass lift rod
- * Foam seat washer



*Designed and manufactured to comply with the requirements of ANSI A112.18.1M and all specifications therein. IAPMO listed. CSA certified

Last Revised: 5/16/2000

Freedom Faucets
a division of
Phoenix Products Inc.
583 Miller Rd.
Avon Lake, Oh. 44012
800-222-6041