

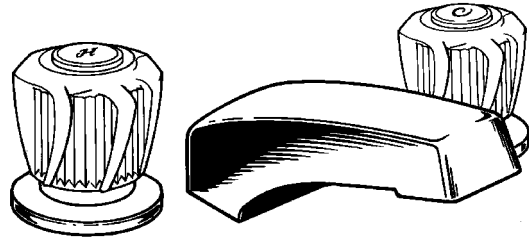
Specifications

Freedom™ FAUCETS

- *Deck mount
 - *Adjusts to 24" centers
 - *8" - 12" Adjustable underbody
 - *ABS trim
 - *Large crystal clear acrylic handles
 - *8" ABS spout
 - *Brass stem & bonnet valves
- Made in the USA

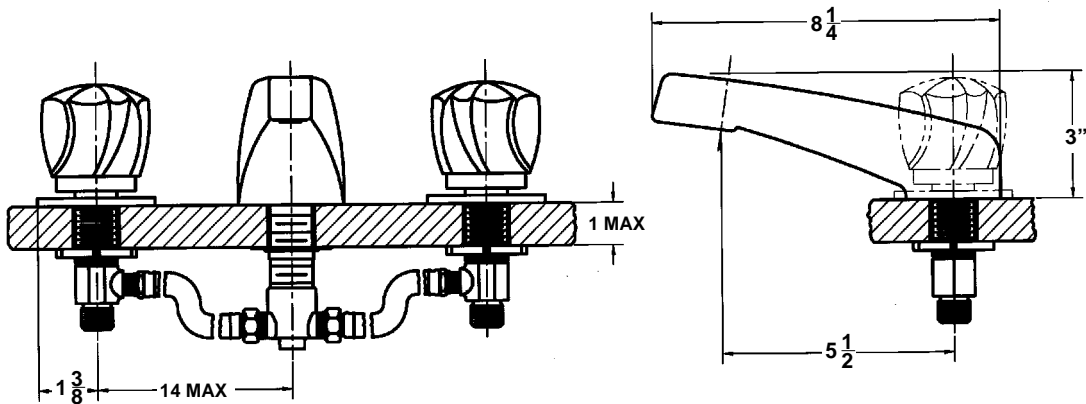
GARDEN TUB FILLER

38-01

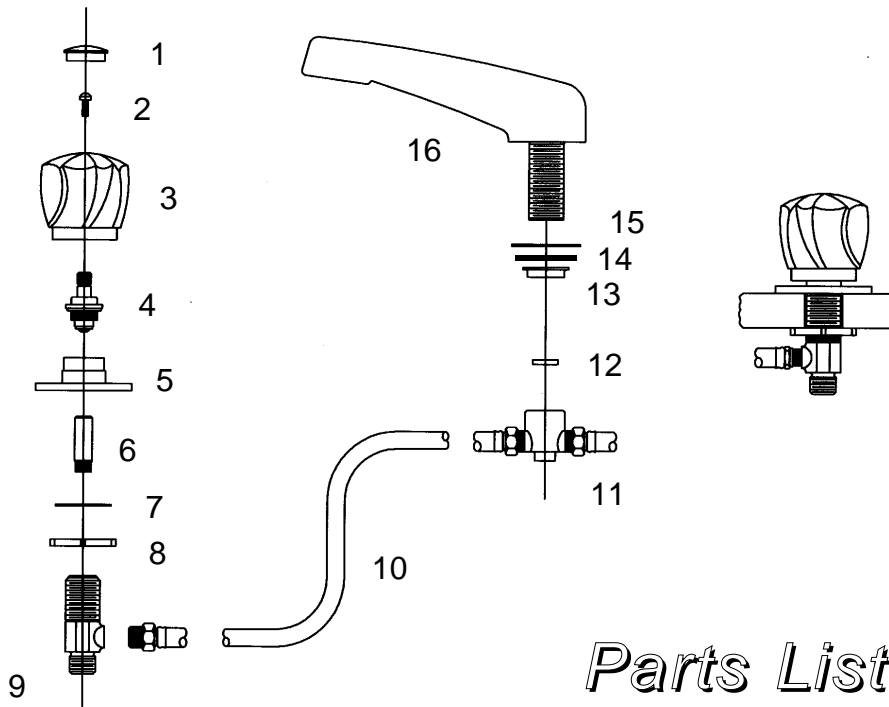


*Designed and manufactured to comply with the requirements of ANSI A112.18.1M and all specifications therein. IAPMO listed. Maximum flow rate of 2.0GPM for aerators and 2.5GPM for shower heads at 80PSI.

Dimensions



Exploded View



Parts List

1. BUTTON, HOT	38-16H
COLD	38-16C
2. SCREW	40-2H
3. HANDLE	38-9
4. STEM & BONNET	61-5-0
5. FLANGE	38-8C
6. RESIN SEAT	38-1
7. WASHER	38-3
8. LOCKNUT	38-11
9. END VALVE	C38-14-6
(INCLUDES GUTS)	
10. HOSE	38-22
11. TEE	39-1
12. T WASHER	39-1-3
13. LOCKNUT	39-11
14. CROWFOOT WASHER	40-18
15. GASKET	387-3
16. SPOUT	39-7-0

Freedom Faucets
a division of
Phoenix Products Inc.
583 Miller Rd.
Avon Lake, Oh. 44012
800-222-6041

Last Revised: 5/16/2000