

SPECIFICATIONS



A division of Phoenix Products
583 Miller Rd.
Avon Lake, OH 44012
440.933.8100 / faucets.com

- 1/2" IPS supply connections
- Pressure balancing
- Integral stop/check valves
- Adjustable stop for hot water adjustment
- Stainless steel piston and sleeve
- Forged brass valve housing
- Swivel shower head
- Slip spout
- Plaster rough-in-guard
- Finished wall adjustment 1"
- Polished Brass model has scratch resistant DuraSheen™ finish

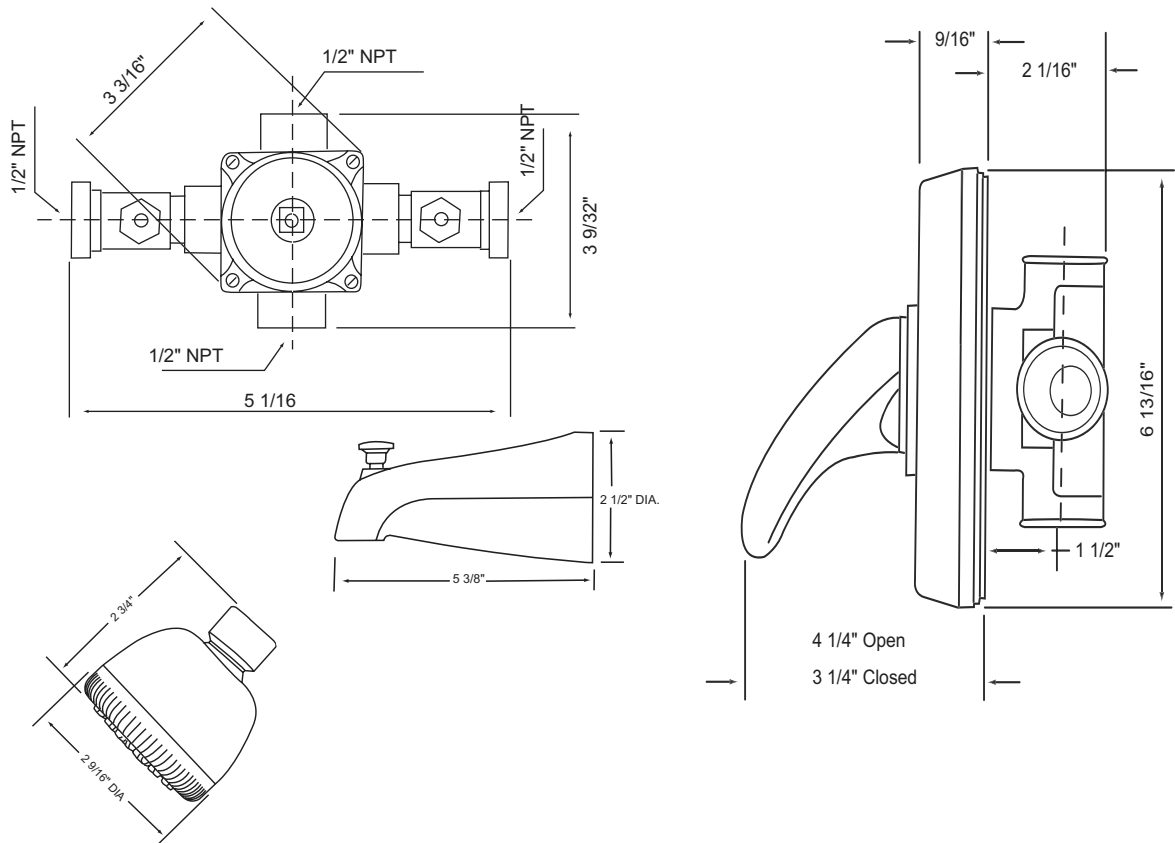
PRESSURE BALANCE
TUB AND SHOWER VALVE
WITH TUB SPOUT AND SHOWERHEAD, ARM, FLANGE



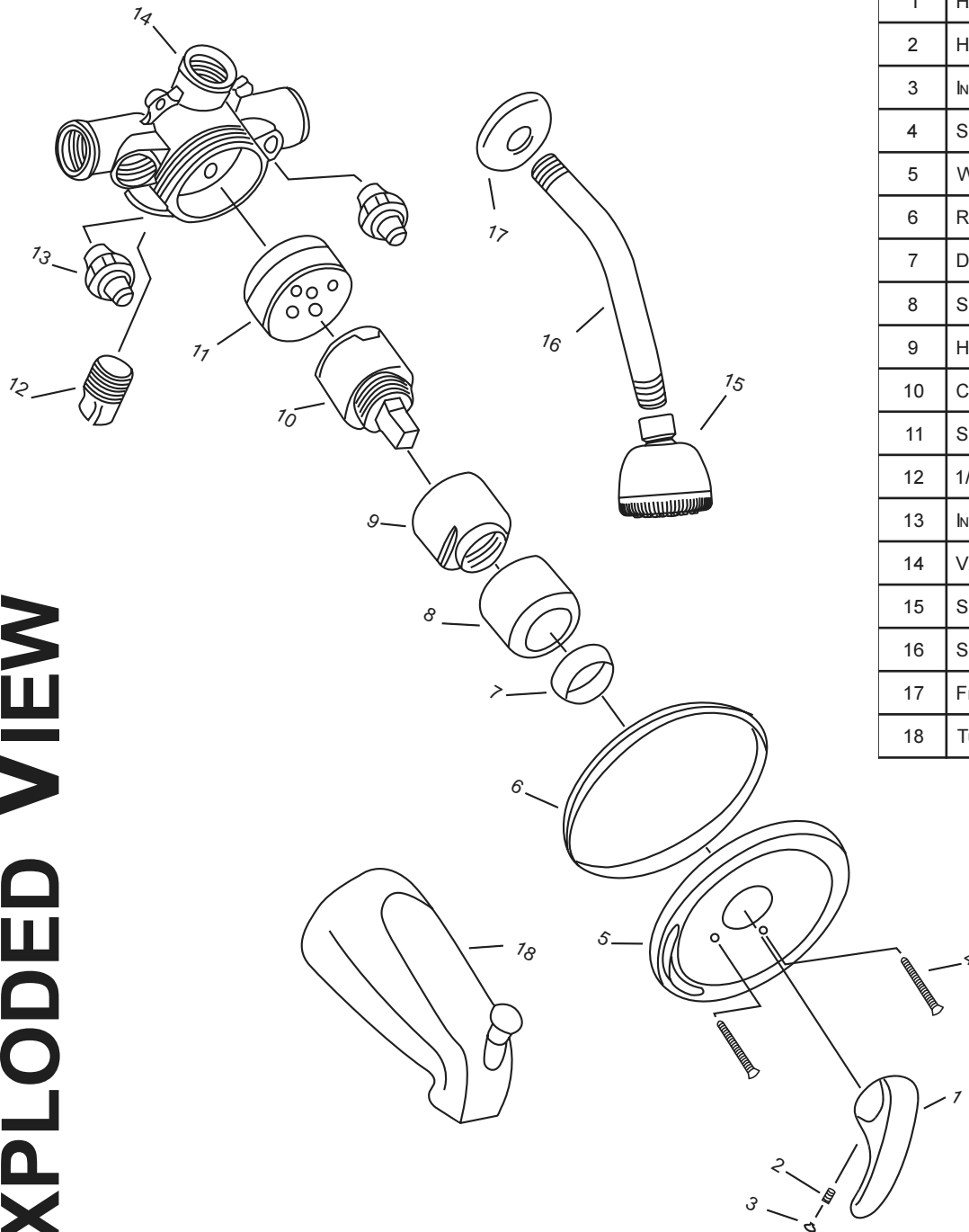
MODEL NUMBER(S):
4301 (CHROME)
4351 (POLISHED BRASS)

Designed and manufactured to comply with the requirements of ANSI A112.18.1M and all specifications therein. IAPMO listed. Maximum flow rate of 2.0 GPM for aerators and 2.5 GPM for shower heads at 80 PSI.

DIMENSIONS



EXPLODED VIEW



PARTS LIST:

1	HANDLE
2	HANDLE SET SCREW
3	INDEX CAP
4	SCREW
5	WALL FLANGE
6	RUBBER SEAL
7	DOME CAP
8	SLEEVE
9	HUB
10	CARTRIDGE
11	SPOOL HOUSING
12	1/2" IPS PLUG
13	INTEGRAL STOP
14	VALVE BODY
15	SHOWERHEAD
16	SHOWER ARM
17	FLANGE
18	TUB SPOUT