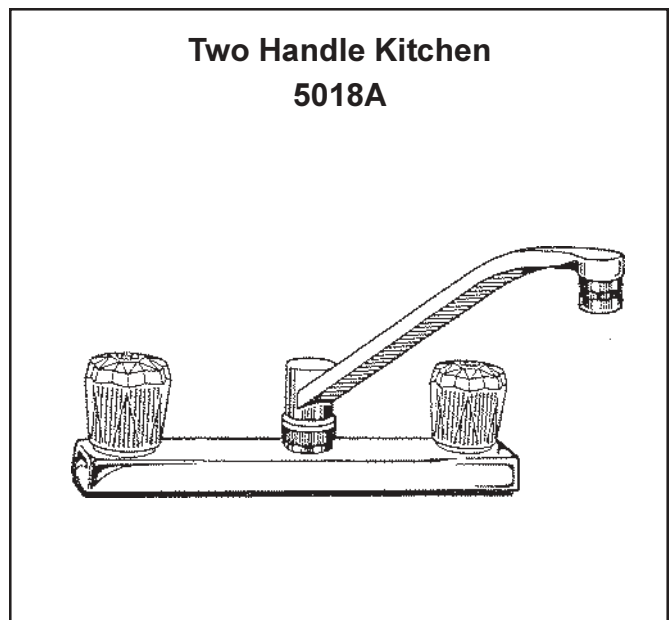


SPECIFICATIONS

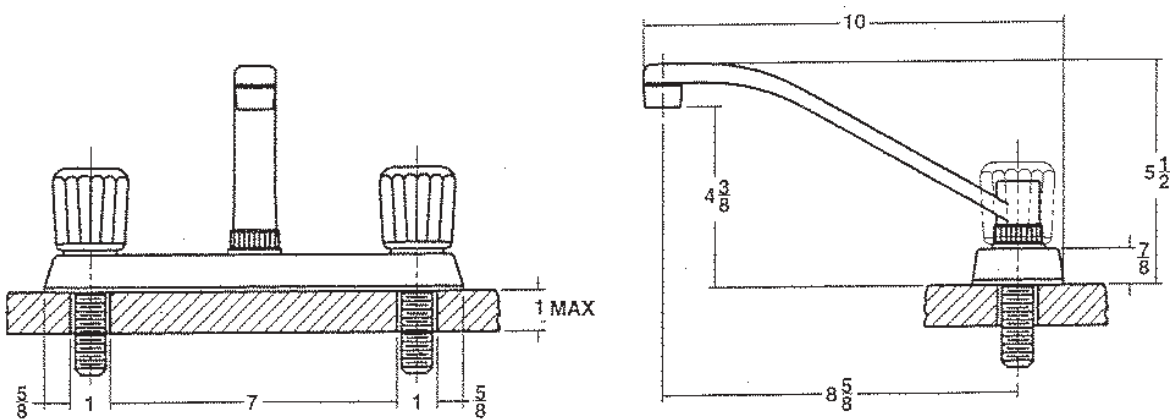
PHOENIX
 583 Miller Rd.
 Avon Lake, OH 44012 **FAUCETS**
 440.933.8100 / faucets.com

- ◆ 8" Centers, deck mount
- ◆ Brass underbody
- ◆ ABS shield
- ◆ Crystal clear acrylic handles
- ◆ 8" Brass "D" spout
- ◆ 1/4 Turn washerless cartridge



Designed and manufactured to comply with the requirements of ANSI A112.18.1M and all specifications therein. IAPMO listed. Maximum flow rate of 2.0 GPM for aerators and 2.5 GPM for shower heads at 80 PSI.

DIMENSIONS

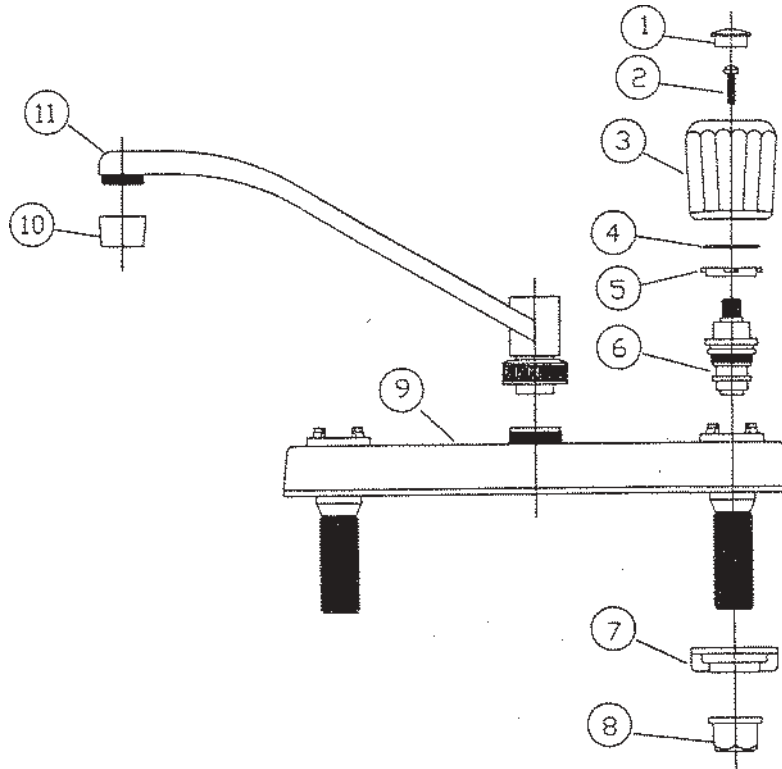




583 Miller Rd.
 Avon Lake, OH 44012
 440.933.8100 / faucets.com

FAUCETS

MODEL NUMBERS:
 5018A



EXPLODED VIEW

PARTS LIST:

2. SCREW	60-4-2
3. HANDLE, COLD	41-9
4. WASHER	40-5-3
5. BONNET LOCK	40-5-8
6. CARTRIDGE	P22
7. LOCKNUT	40-11
8. TAILPIECE NUT	40-11-4
9. SHIELD	50-12PLC
METAL SHIELD	2100-12C
10. AERATOR	50-19C
11. SPOUT	58-78A-0